



COMPONENTS OF AN AFRIHIVE FLATPACK



A x 6



B x 6



C x 12



D x 6



E x 4



F x 2



G x 4



H x 2



I x 2



J x 33



K x 66



L x 33



M x 33



N x 386



O x 134



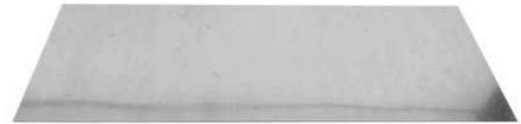
P x 1



Q x 3.5m



R x 1 Litre

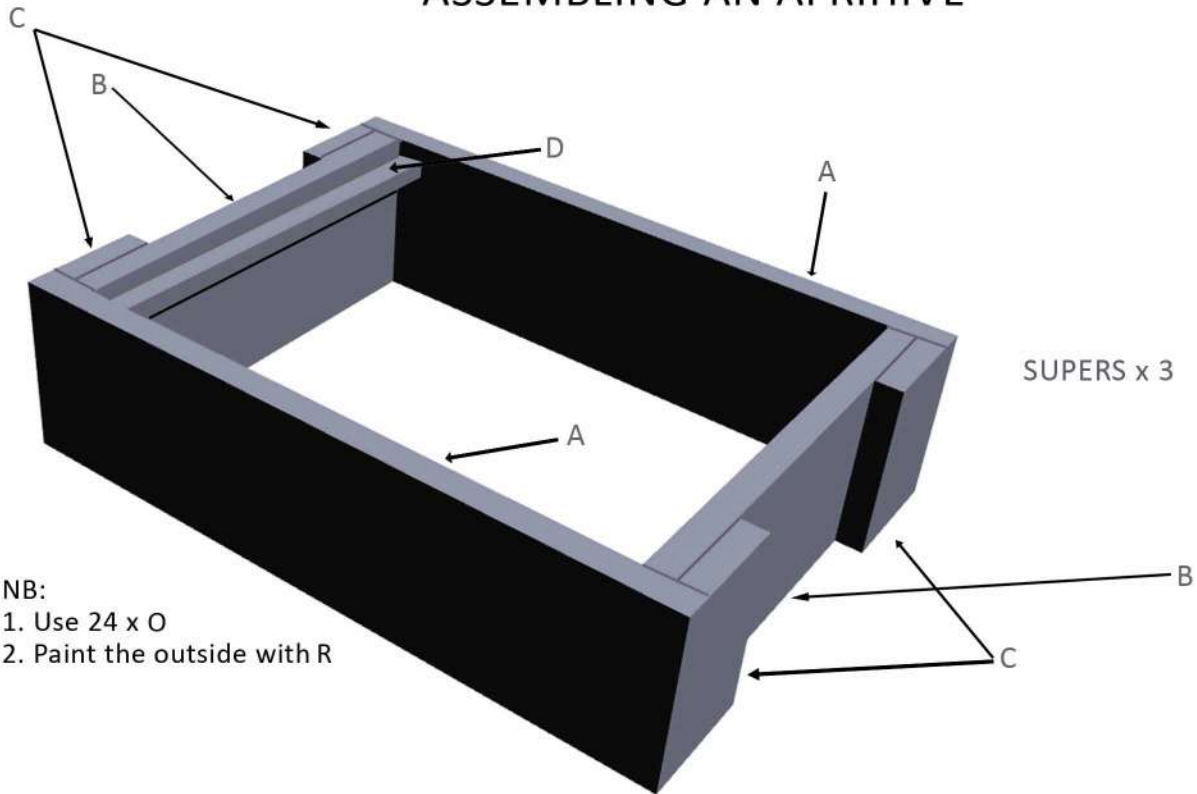


S x 1

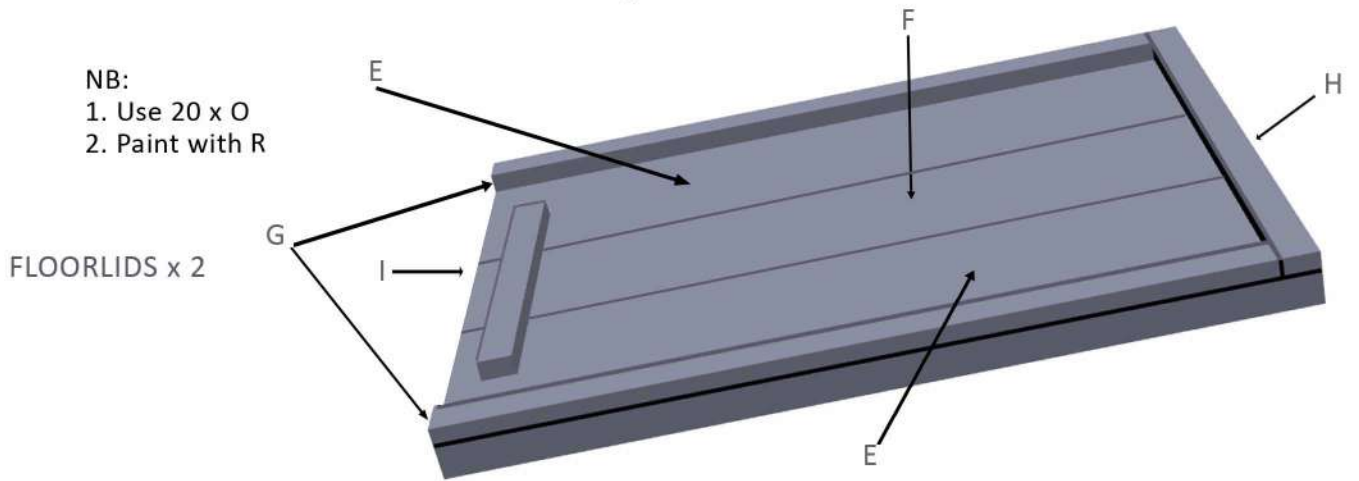
One Flat Pack			
Code	QTY	Description	Units
Supers x 3			
A	6	580 x 23 x 150 pine	mm
B	6	370 x 23 x 150 pine	mm
C	12	80 x 23 x 150 pine	mm
D	6	370 x 25 x 15 pine	mm
Floorlids x 2			
E	4	580 x 23 x 150 pine	mm
F	2	580 x 23 x 120 pine	mm
G	4	560 x 25 x 15 pine	mm
H	2	433 x 25 x 15 pine	mm
I	2	250 x 25 x 15 pine	mm
Frames x 33			
J	33	482 x 25 x 15 pine	mm
K	66	110 x 25 x 15 pine	mm
L	33	450 x 25 x 15 pine	mm
M	33	420 x 12.5 x 3 Masonite	mm
Nails			
N	386	32 mm nails	nails
O	134	60 mm nails	nails
P	1	Sand paper	nails
Wire/Strapping			
Q	3.5	3 mm bailing wire/strapping	m
Waxoll/parrafin			
R	1	Parrafin/waxoll	Litre
Plasic sheets			
S	1	250 micron plastic 500 x 600	sheets



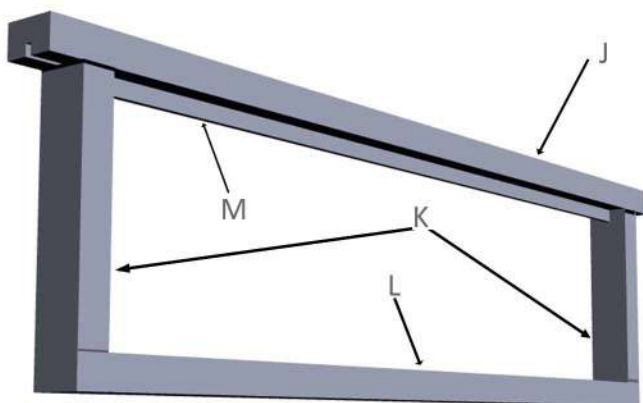
ASSEMBLING AN AFRIHIVE



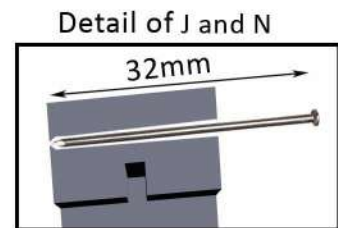
- NB:
 1. Use 24 x O
 2. Paint the outside with R



- NB:
 1. Use 20 x O
 2. Paint with R



- NB:
 1. Use 10 x N
 2. Use 1 x P (to sand the masonite)



Use the 32 mm nails
 N - for spacing